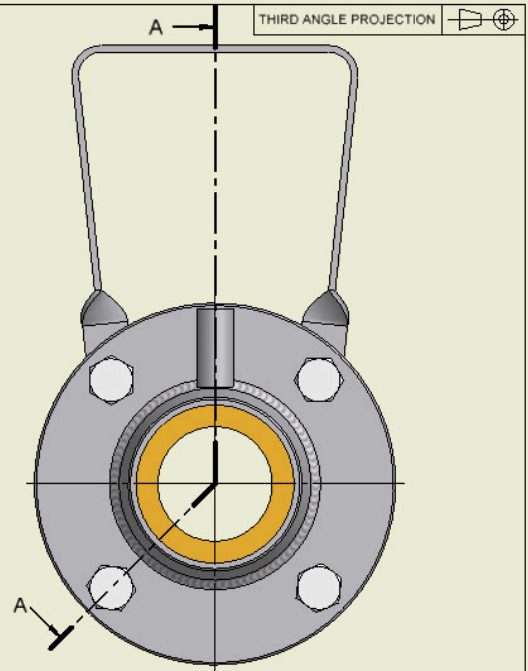
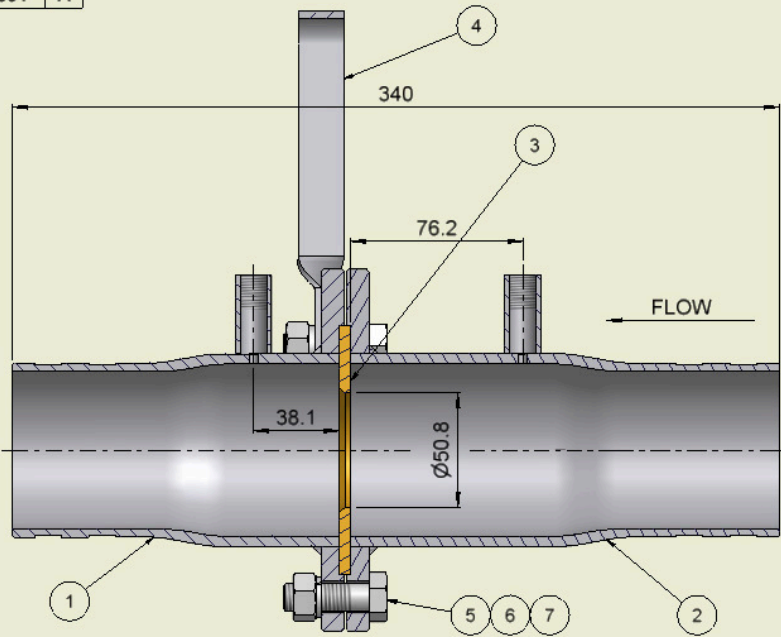


DRG NO. M040334  
 REV A SHEET 1 / 1



Parts List			
ITEM	QTY	PART NUMBER	DESCRIPTION
1	1	M040335	Outlet Section
2	1	M040336	Inlet Section
3	1	M040337	2" Orifice Plate
4	1	M040339	Carry Handle
5	4	413.012.035	M12 x 35 Hex-Head Bolt
6	4	414.012	M12 Hex Nut
7	4	418.012	M12 Spring Washer

APPROX WEIGHT: 5.2kg

THIS DRAWING REMAINS THE PROPERTY OF MINNOVATION LIMITED AND MUST NOT BE REPRODUCED, COPIED OR SHARED WITH A THIRD PARTY WITHOUT THE WRITTEN PERMISSION OF THE OWNER

© MINNOVATION LIMITED

SHEET 1 / 1

REV	REV BY	DATE	REV NO.	REV	REV BY	DATE	REV NO.	REV	REV BY	DATE	REV NO.
A	RP	24/03/2006	First Issue								

TITLE			
<b>3" PORTABLE SAMPLING SECTION</b>			
DRAWN BY	RP	CHKD BY	
DATE	24/03/2006	DATE	

**MINNOVATION LTD**

Unit 10, The  
 Warehouse, Ferry Road,  
 Tel: +44 (0) 1524 218516  
 Fax: +44 (0) 1524 218518  
 Email: sales@minnovation.co.uk

Reg. No. 1228473 England  
 VAT No. GB 407525566

DO NOT SCALE DRAWING  
 IF IN DOUBT ASK

DRG NO. M040334  
 REV A